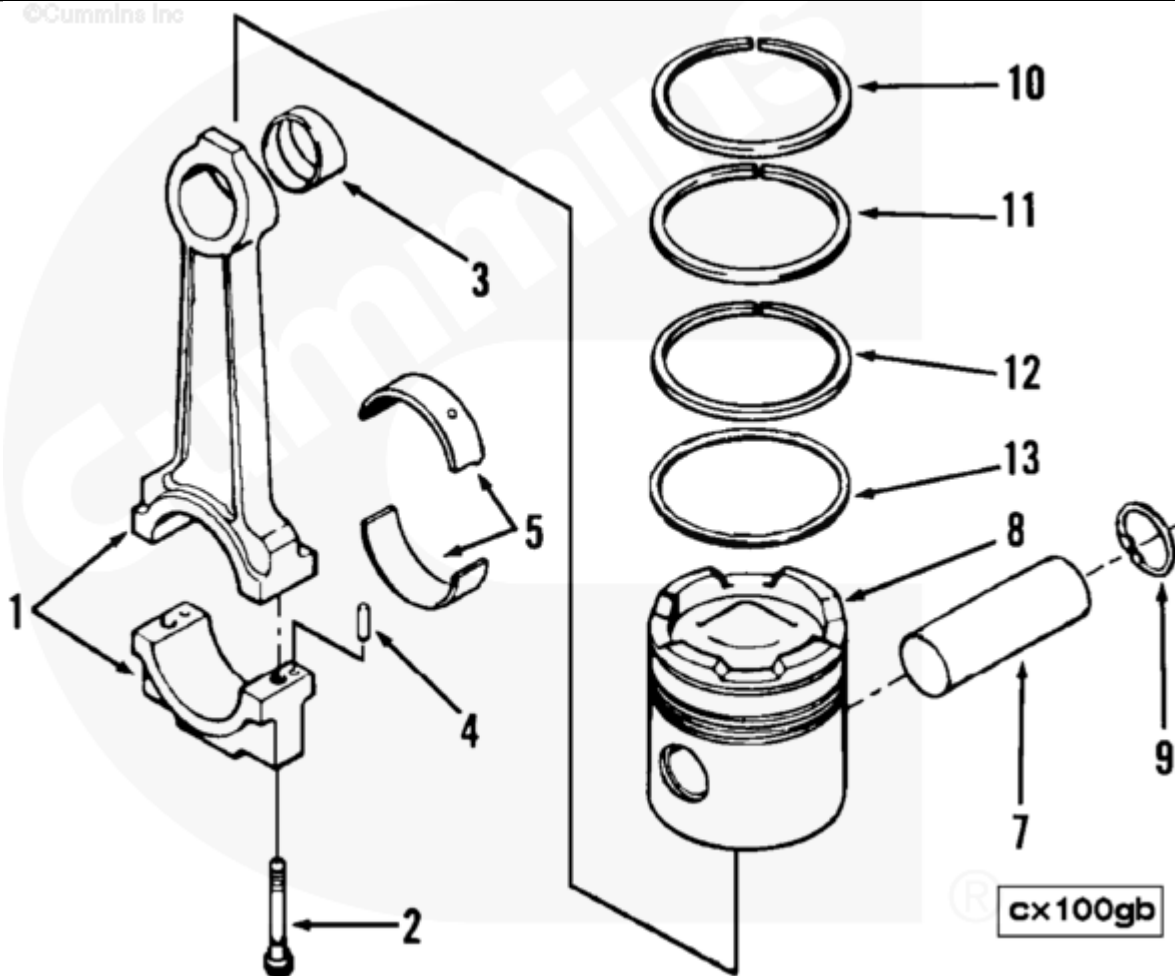




Parts Catalog - Option Detail

Electronic Parts Catalog - Option Detail				
Option	Group	Graphic	Film Card	Date
PP625	01.04	cx100gb	F	15-DEC-92
Engines	NH/NT 855, NT495, NT743, NTA855 N106			



SMALL | MEDIUM | LARGE

Cart	Ref No	Part Number	Part Description	Required	Remarks
<input type="button" value="View My Cart"/>					
		PP625	Connecting Rod And Piston		
					Connecting Rod And Piston
					For NTC-400 Big Cam III
					engines.

					CPL 0625
<input type="checkbox"/>	1	3013930	Engine Connecting Rod	6	
<input type="checkbox"/>	2	3055171	Connecting Rod Cap Screw	2	
<input type="checkbox"/>	3	187420	Bushing	1	
<input type="checkbox"/>	4	70550	Pin Dowel	2	5/16 x 1/2 inch
<input type="checkbox"/>	5	214950	Connecting Rod Bearing	12	Standard
<input type="checkbox"/>	5	214951	Connecting Rod Bearing	12	.010 in. Oversize
<input type="checkbox"/>	5	214952	Connecting Rod Bearing	12	.020 in. Oversize
<input type="checkbox"/>	5	214953	Connecting Rod Bearing	12	.030 in. Oversize
<input type="checkbox"/>	5	214954	Connecting Rod Bearing	12	.040 in. Oversize
<input type="checkbox"/>	7	191970	Piston Pin	6	
<input type="checkbox"/>		3801773	Piston Kit	6	Ref TSB110263
<input type="checkbox"/>	8	3051556	Engine Piston		
<input type="checkbox"/>	9	175755	Retaining Ring	2	
<input type="checkbox"/>		3803471	Piston Ring Set	6	
<input type="checkbox"/>	10	218025	Compression Piston Ring	1	
<input type="checkbox"/>	11	216983	Compression Piston Ring	1	
<input type="checkbox"/>	12	3056429	Compression Piston Ring	1	
	13	218732	Oil Piston Ring	1	